

KMN-PORT-FME21A



Rear Door Protective Cover (2X)

Installation Manual

Ford Mach-E 2021+



Copyright Notice

© Cyberkar[®] Systems, 2023

No part of the documentation materials accompanying this Cyberkar[®] Systems software product may be reproduced, transmitted, transcribed, stored in a retrieval system, sold, exploited commercially or translated into any language or computer language, in any form or by any means, including, but not limited to, electronic, magnetic, optical, chemical, manual, or otherwise without prior written permission of Cyberkar[®] Systems.

The contents of this documentation are protected by applicable copyright laws and will be distributed with a software that includes an end-user license agreement.

The information contained herein is provided for informational purposes only and is subject to change without notice. Cyberkar[®] Systems assume no responsibility or liability for any errors or inaccuracies that may appear in the informational content contained in this document.

Cyberkar[®] Systems, Cyberkar[®] and Kommander[®] logos are trademarks of Cyberkar[®] Systems in the United States and Canada. Other trademarks used in this document may be trademarks of the manufacturers or vendors of the respective products.

Cyberkar[®] Systems

Address: 3026 Anderson, suite 202
Terrebonne, Quebec, J6Y 1W1
Canada

Toll-free number: 1-855-951-3080

E-mail: info@cyberkar.com

Table of Content

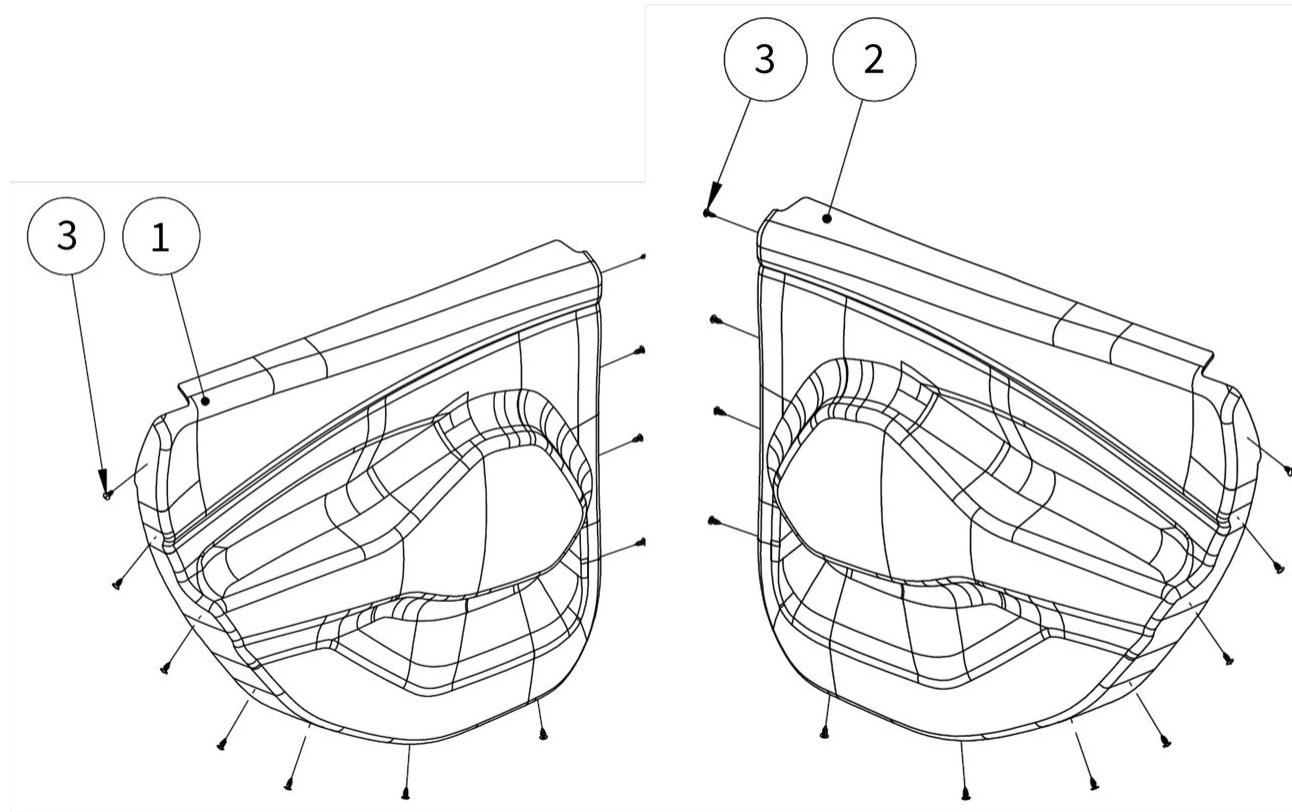
1 WORK TIME.....	4
2 EXPLODED VIEW.....	5
3 PARTS INCLUDED	6
4 HARDWARE BAG	7
5 INSTALLATION	8
6 TECHNICAL SUPPORT	11

1 WORK TIME




Installation time

1 hour


2 EXPLODED VIEW



3 PARTS INCLUDED

#	N° / SKU	DESCRIPTION	QT	IMG
1	FA00007648-M-10125	Rear left door protector	1	
2	FA00007648-M-10124	Rear right door protector	1	
	KMN-HB-PORT-FME21A	Hardware bag	1	

4 HARDWARE BAG

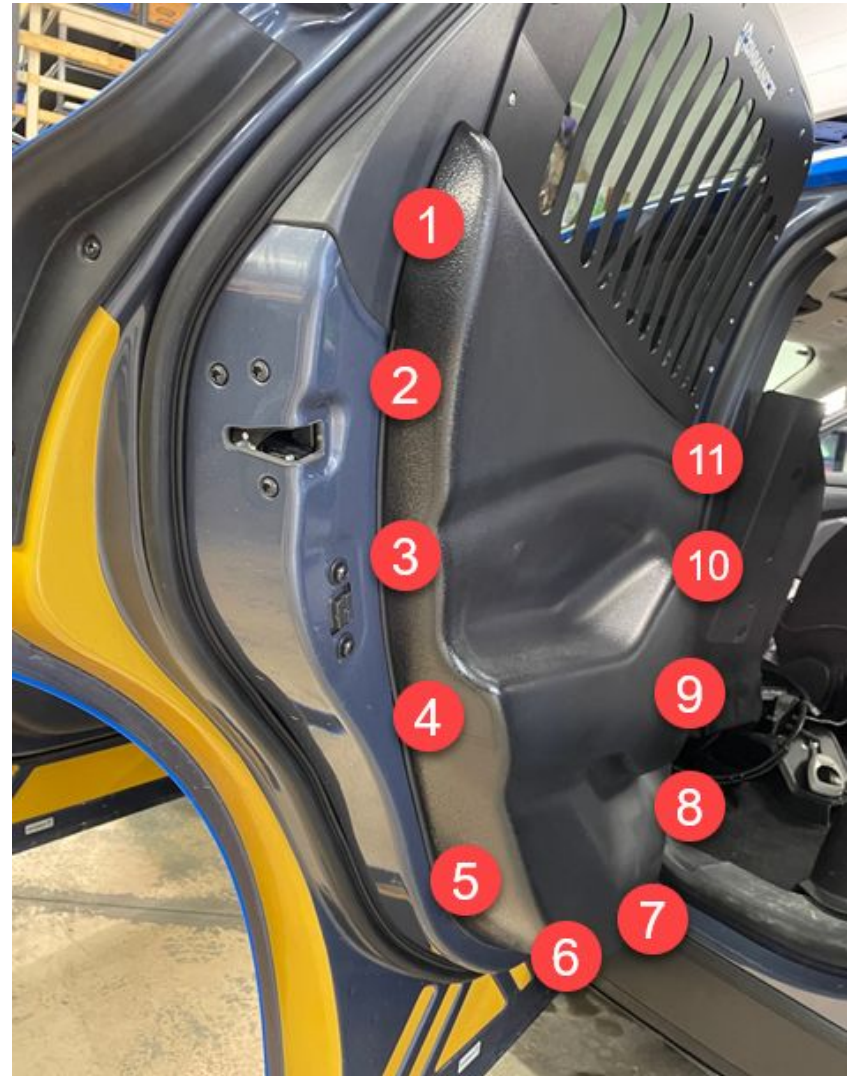
#	N° / SKU	DESCRIPTION	QT	IMG
3	MCMASTER_90218A321	Push-in rivet, for hole size 0.187", for material thick. 0.165"-0.185", nylon, black	22	

5 INSTALLATION

- 1 Insert part 1 on the left door.
Make sure it is in place by pushing firmly on it.



- 2 Using a 3/16" drill bit, drill 11 holes at regular intervals in the original door.



3 Insert the 11 rivets into the drilled holes pressing them firmly.

Check that the door closes properly.

4 Repeat the operation for the left door using part 2.

6 TECHNICAL SUPPORT

Cyberkar[®] Systems

Address: 3026 Anderson, suite 202
Terrebonne (Quebec) J6Y 1W1
Canada

Toll-free number: 1-855-951-3080

Tech support team

Days/hours of operation: Monday to Friday, 8 a.m.—5 p.m. (EST).

Escalation process: E-mail is used for escalations outside of hours of operation.

E-mail: support@cyberkar.com



Installation Manual (rev. 7)

© All rights reserved, Cyberkar® Systems, 2023

www.kommanderbycyberkar.com/en/

Rear Door Protective Cover (2X)

Ford Mach-E 2021+

KMN-PORT-FME21A