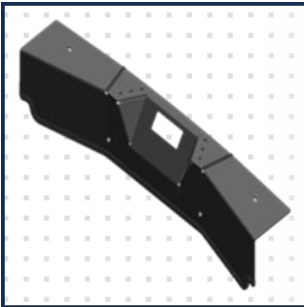


KEY FEATURES

- Protects the vehicle trunk sill from scratches and scuffs.
- Allows for more storage space in the trunk.

COMPONENTS

Trunk sill protector
FA0007648-M-00010



Hardware bag
KMN-HB-PLACOF-FME21A



TECHNICAL SPECIFICATIONS

Length:	3 ft (91.9 cm)
Width:	6.6 in. (16.7 cm)
Height:	6.2 in. (15.8 cm)
Thickness:	0.13 in. (3.2 mm)
Weight:	4.8 lbs. (2.2 kg)
Materials:	Aluminium
Paint:	Black powder coat
Warranty:	3 years