

KMN-RANLATP-FME21A



Passenger-side Trunk Storage Unit

Installation manual

Ford Mach-E 2021+



Copyright Notice

© Cyberkar[®] Systems, 2023

No part of the documentation materials accompanying this Cyberkar[®] Systems software product may be reproduced, transmitted, transcribed, stored in a retrieval system, sold, exploited commercially or translated into any language or computer language, in any form or by any means, including, but not limited to, electronic, magnetic, optical, chemical, manual, or otherwise without prior written permission of Cyberkar[®] Systems.

The contents of this documentation are protected by applicable copyright laws and will be distributed with a software that includes an end-user license agreement.

The information contained herein is provided for informational purposes only and is subject to change without notice. Cyberkar[®] Systems assume no responsibility or liability for any errors or inaccuracies that may appear in the informational content contained in this document.

Cyberkar[®] Systems, Cyberkar[®] and Kommander[®] logos are trademarks of Cyberkar[®] Systems in the United States and Canada. Other trademarks used in this document may be trademarks of the manufacturers or vendors of the respective products.

Cyberkar[®] Systems

Address: 3026 Anderson, suite 202
Terrebonne, Quebec, J6Y 1W1
Canada

Toll-free number: 1-855-951-3080

E-mail: info@cyberkar.com

Table of Content

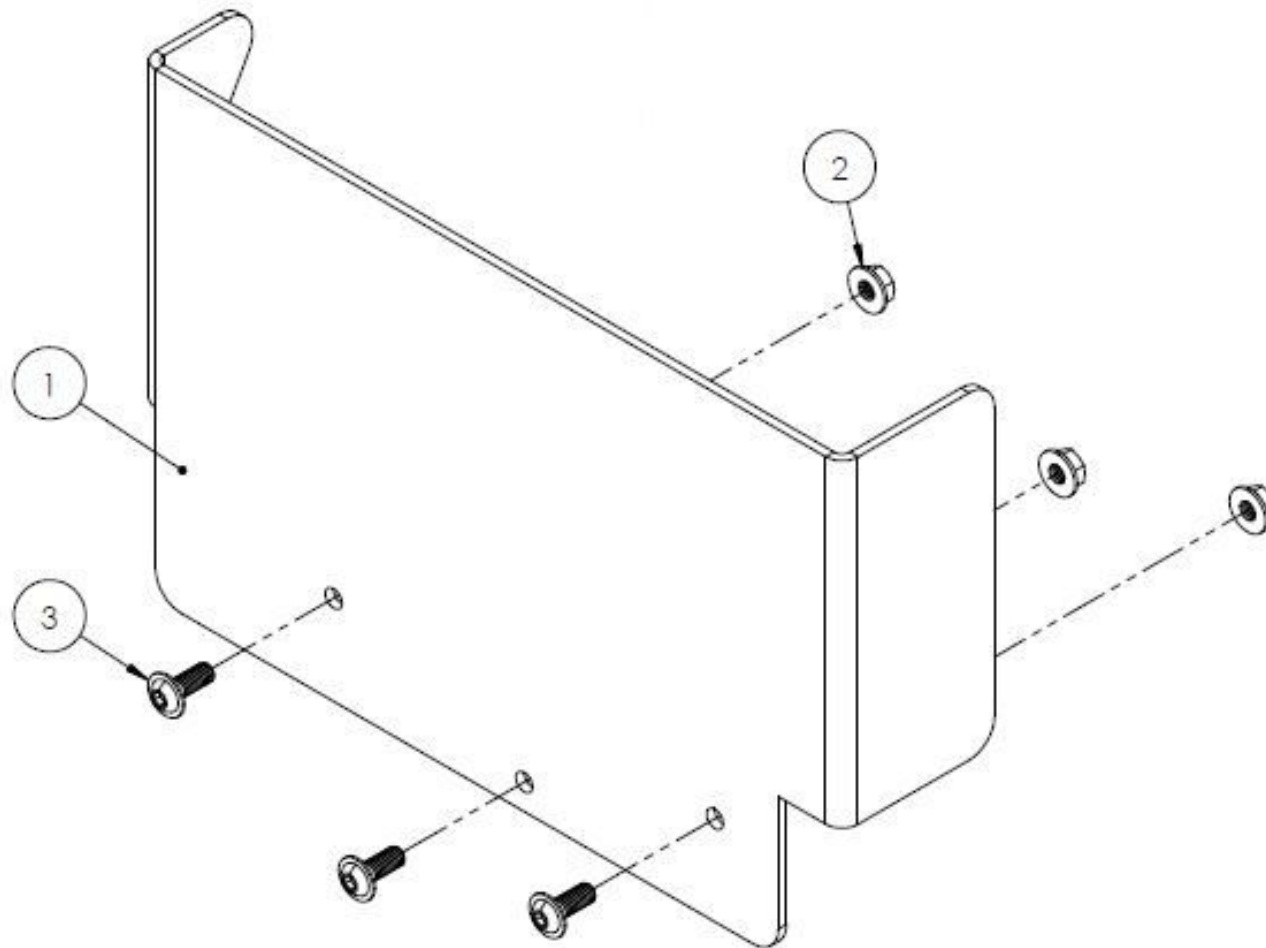
| | |
|----------------------------------|-----------|
| 1 WORK TIME..... | 4 |
| 2 EXPLODED VIEW..... | 5 |
| 3 PARTS INCLUDED | 6 |
| 4 HARDWARE BAG | 7 |
| 5 INSTALLATION | 8 |
| 6 TECHNICAL SUPPORT | 11 |

1 WORK TIME

Installation time

15 minutes



2 EXPLODED VIEW



3 PARTS INCLUDED

| # | N° / SKU | DESCRIPTION | QT | IMG |
|---|----------------------|--------------------------------|----|--|
| 1 | FA00007648-M-10027 | RIGHT REAR CARGO STOWAGE PANEL | 1 |  |
| | KMN-HB-RANLTP-FME21A | Hardware bag | 1 |  |

4 HARDWARE BAG

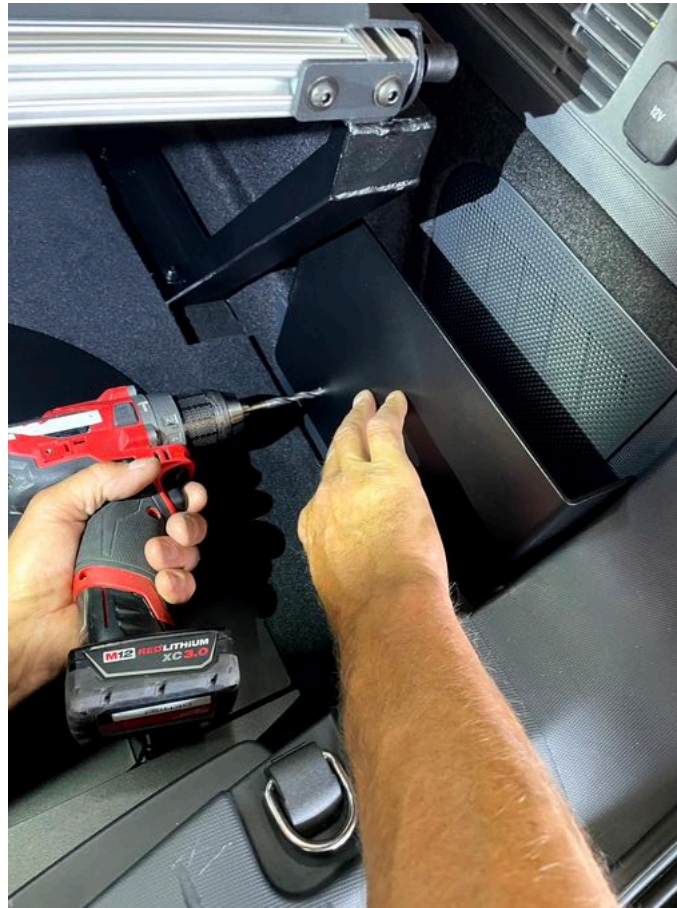
| # | N° / SKU | DESCRIPTION | QT | IMG |
|---|--------------------|--|----|---|
| 2 | MCMASTER_94942A101 | Nut M6x1, flanged, black phosphate | 3 |  |
| 3 | MCMASTER_92137A531 | Button head screw M6x1x16 mm, flanged, black oxide | 3 |  |

5 INSTALLATION

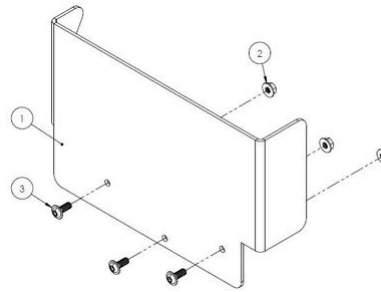
- 1 Place the plate as shown in the image.



- 2 Use a drill with a 1/4" drill bit to drill the plastic using the piece as a template.



- 3** Use the 3 nuts and screws provided to secure the plate using a 5/32" Allen bit and 10 mm socket.



6 TECHNICAL SUPPORT

Cyberkar[®] Systems

Address: 3026 Anderson, suite 202
Terrebonne (Quebec) J6Y 1W1
Canada

Toll-free number: 1-855-951-3080

Tech support team

Days/hours of operation: Monday to Friday, 8 a.m.—5 p.m. (EST).

Escalation process: E-mail is used for escalations outside of hours of operation.

E-mail: support@cyberkar.com



Installation manual (rev. 6)

© All rights reserved, Cyberkar® Systems, 2023

www.kommanderbycyberkar.com/en/

Passenger-side Trunk Storage Unit

Ford Mach-E 2021+

KMN-RANLTP-FME21A